

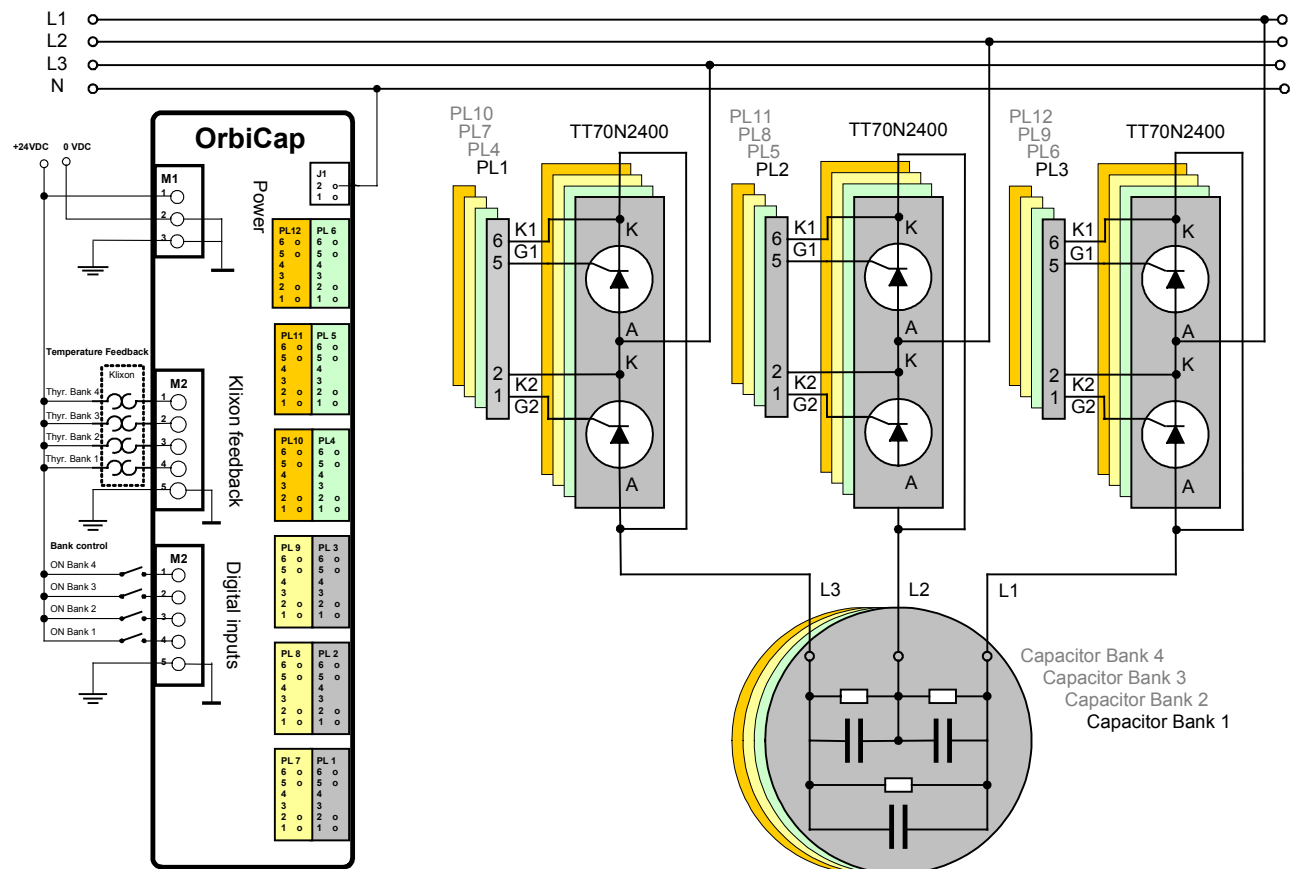


OrbiCap

- Solid State Power Factor Control
- Thyristor control of 4 Capacitor Banks
- 4 Digital Control Inputs
- 4 Digital Security Klixon Inputs
- Available with Profibus DP interface
- DIN-rail snap-on mounting



OrbiCap is designed dynamically to control the Power Factor using dual polarity thyristor trigger units. Individual transient free cut-in and cutout of up to 4 capacitor banks is obtained by a totally contactor less switching control. Discharging of the capacitors is no longer required. OrbiCap can work automatically in a Profibus environment or manually as a Stand Alone System by using the 4 Digital Control Inputs. Security Klixon Inputs protect the control system against damage on unexpected temperature excess of the thyristors. OrbiCap provides dynamic control of the reactive power and improves the grid quality by transient free switching of the capacitors.



Electrical specifications :

Parameter	Conditions	Min.	Typ.	Max.	Units
Power supply					
Supply voltage		21,5	24,0	26,5	Vdc
Power consumption	24,0 Vdc ± 10% supply voltage			50	W
Digital inputs					
Input impedance			4400		Ω
Input voltage	Continuous		24,0	± 60,0	V
Low level input				8,0	V
High level input		16,0			V
Profibus					
Baudrate	Optional	9600		12M	Baud
Thyristor outputs					
Grid voltage (phase/neutral)		200		500	Vac
Grid frequency range		40		70	Hz
Trigger frequency					
Duty cycle			7812,5		Hz
			25		%
Trigger current					
	Load resistance = 10 Ω	300			mA
Resolution	@50 Hz	0,2			°

Electromagnetic compatibility:

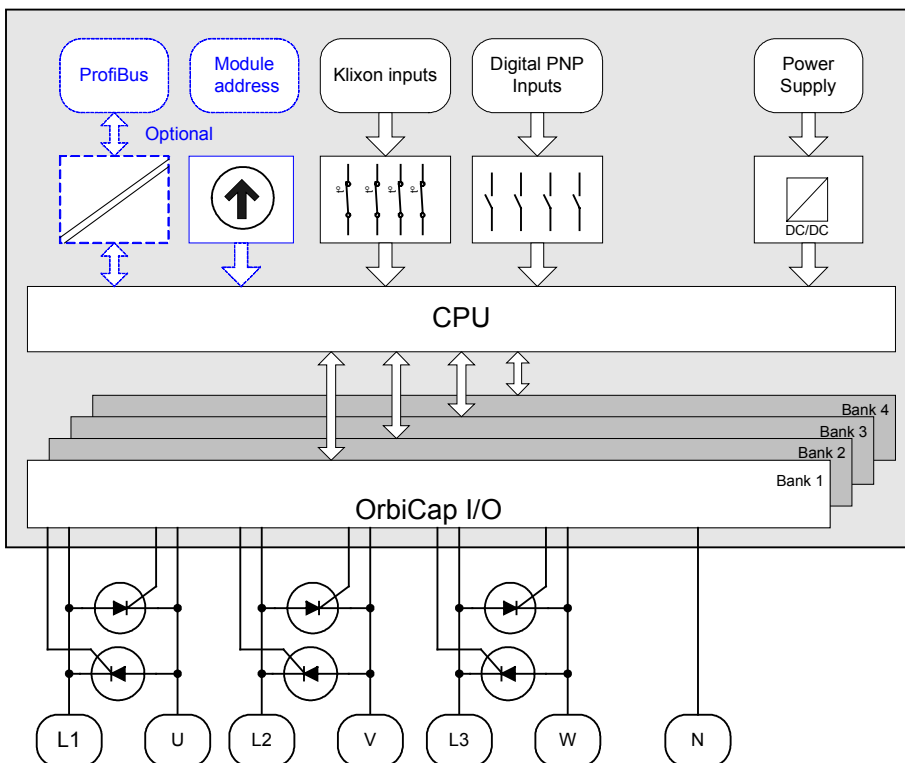
EN 50 081-2 Generic emission standard
 EN 50 082-2 Generic immunity standard

Industrial environment
 Industrial environment

Mounting:

Snap-on DIN rail adapter TS 35
 2 Hole mounting

EN 50 022
 DIN 46 121 / DIN 43 660



Mechanical dimensions :



150 mm



110 mm

75 mm